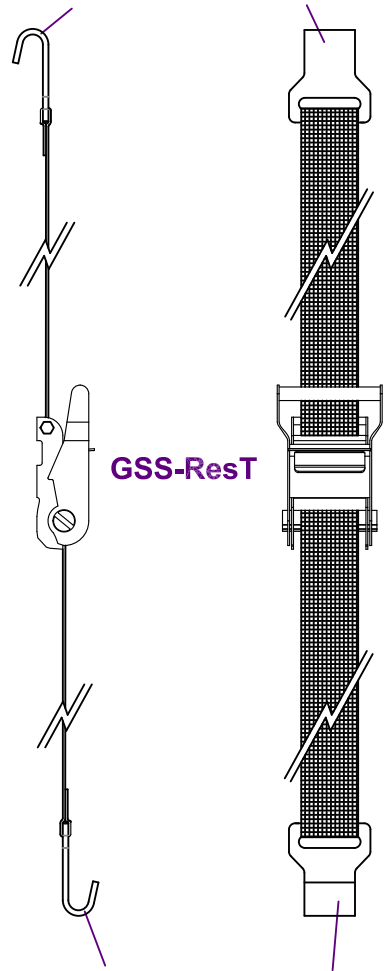


Straps are not to scale

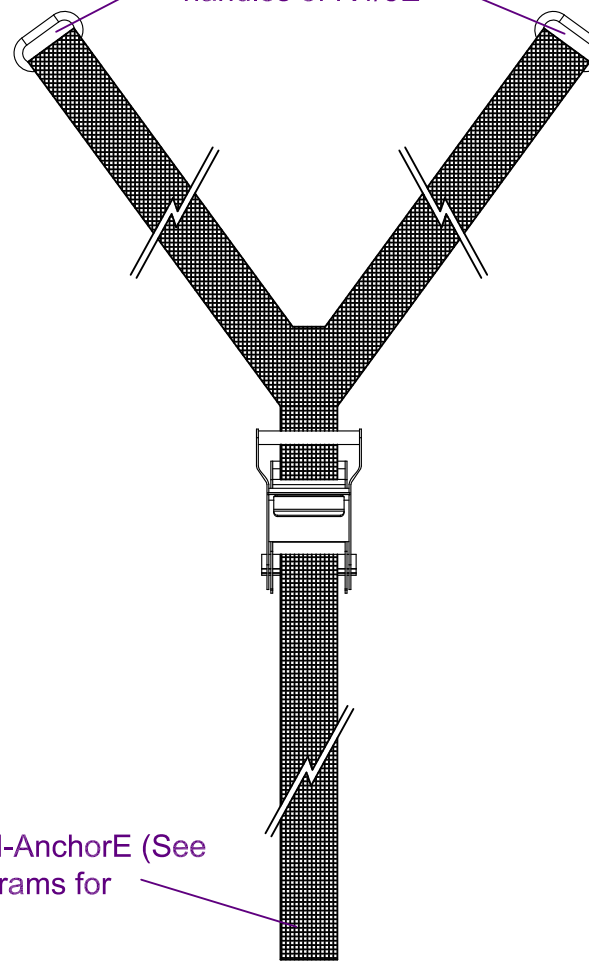
Clips into the top handle of R4/5T



GSS-ResT

Clips into GSM-Anchort or AnchorE

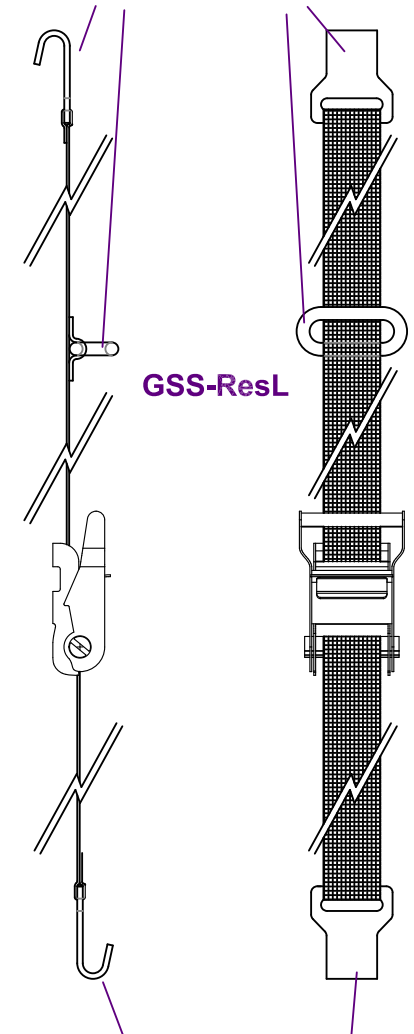
Rings fit into side handles of R4/5E



Weaves into GSM-Anchore (See ground stack diagrams for instructions)

GSS-ResE

Strap loops through top handlebar and hooks into the oval ring

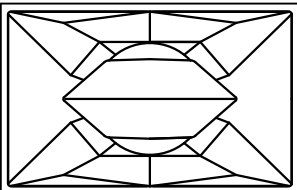


GSS-ResL

Clips into GSM-Anchore

All dimensions in mm and inches

Copyright Funktion-One Research Ltd



FUNKTION-ONE

Hoyle, Horsham Road, Beare Green, Dorking, Surrey, RH5 4PS, England

Phone: +44 (0)1306 712820

Fax: +44 (0)1306 711240



mail@funktion-one.com

www.funktion-one.com

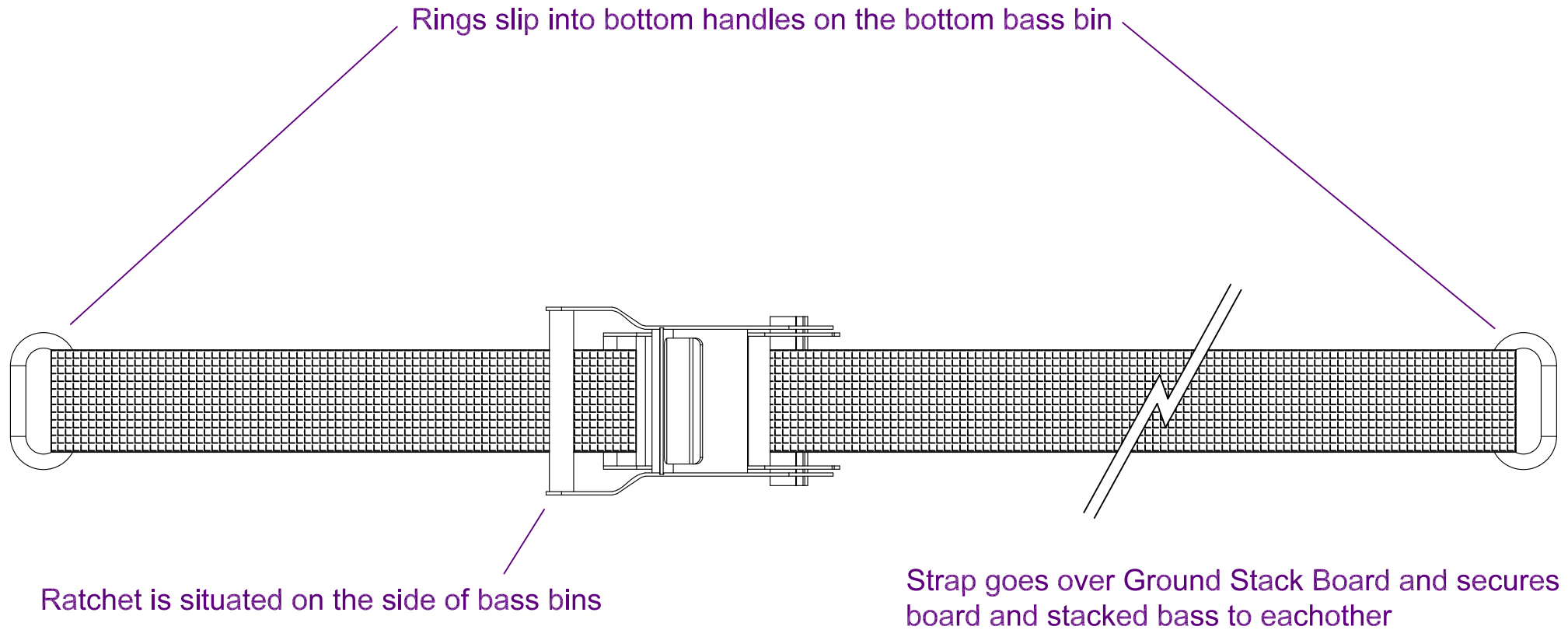
Accessories for: Ground Stack Tilt Straps

GSS-ResT - Ratchet strap to secure one or two R4/5T to GSM-Anchort

GSS-ResE - Ratchet strap (Y) to secure one R4/5E to GSM-Anchore

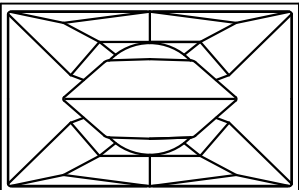
GSS-ResL - Ratchet strap for R2 or R3 groundstacking

Straps are not to scale



All dimensions in mm and inches

Copyright Funktion-One Research Ltd



FUNKTION-ONE

Hoyle, Horsham Road, Beare Green, Dorking, Surrey, RH5 4PS, England

Phone: +44 (0)1306 712820

Fax: +44 (0)1306 711240



mail@funktion-one.com

www.funktion-one.com

Accessories for: Ground Stack Tilt Straps

GSS-Bass - Ratchet strap to secure board to bass and bass together - 5m
- attaches to bass handles on lowest bass enclosure