

Ground Stack System for Evo Enclosures

GSB (Ground Stack Board)

A choice of different boards is available for different stack configurations. These are all made from 18mm Finnish Birch Ply and finished with Funktion One violet paint.

GSM-Clasp

'S-Profile' clasps slide onto underside of Ground Stack Board and hook round top front edge of bass enclosure. Two of the same clasps are used the other way up to hold the lower front edge of each Evo6/7 in place (these can be slid into position once the board has been attached to the bass)

GSM-Clasp2

As above but with a different profile to suit cabinet edge with sloping Bass horn.

GSM-Clamp

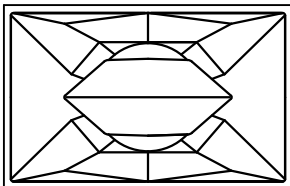
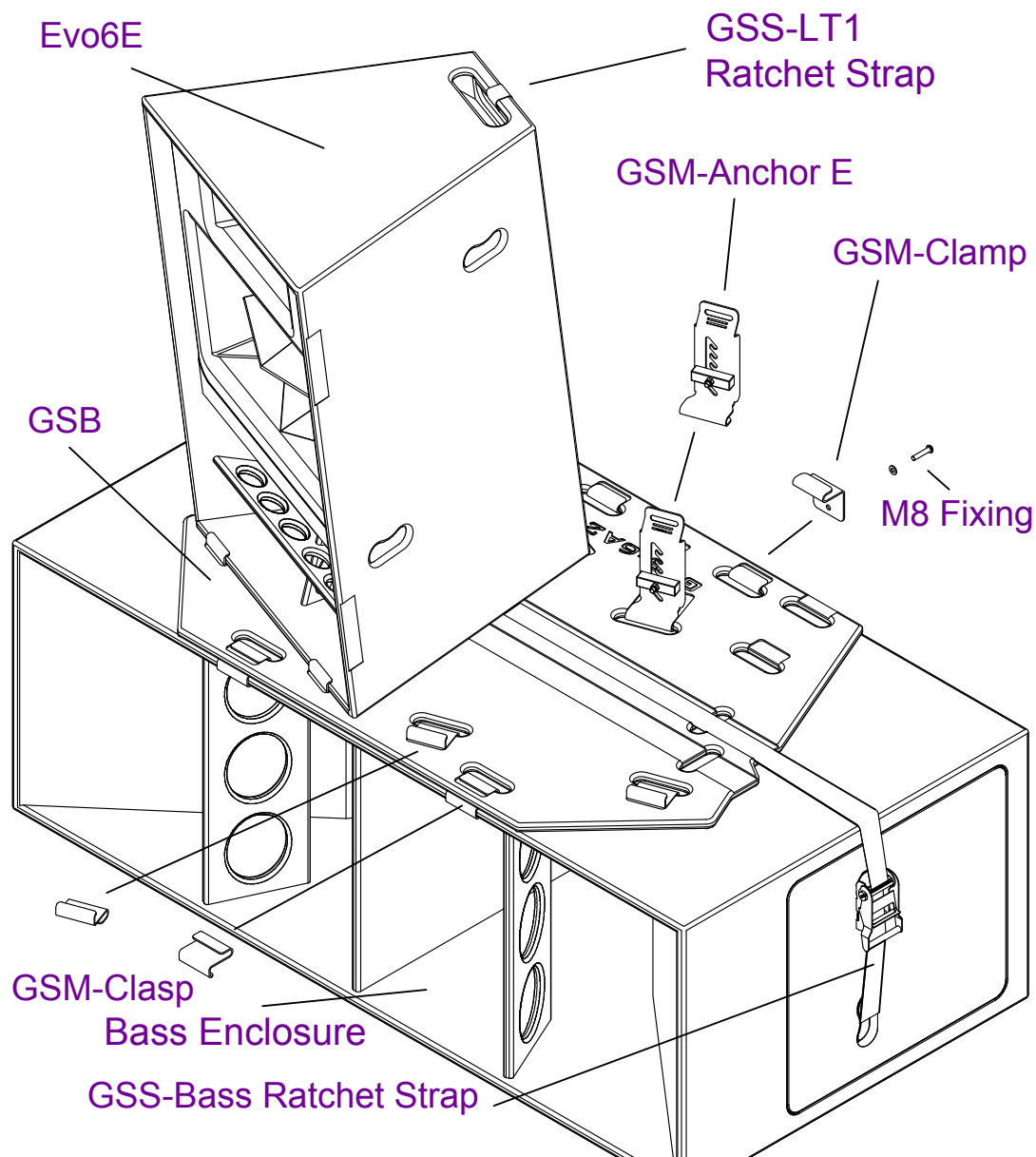
Clamps slide onto the underside of the board and are used to secure the board to the rear of the bass (these spring against the clasps used on the front). For permanent installations, they can be bolted to the dedicated T-Nuts on the rear of the bass, although this is not necessary for touring use.

GSS-Bass

Once the board is located and secure with the Clasps and Clamps fitted to the underside, the GSS-Bass Strap is added. The ratchet strap is terminated with metal ovals which locate in the lowest bass handles on either side of the stack. Once tight, the strap secures the bass enclosures and board together.

GSM-Anchor E

Originally designed for use with the Resolution E enclosures, which do not have the built in "biscomatic", the E-Anchor facilitates external downward tilt angle adjustment. The rear of the enclosure rests on a captive block which can easily be moved to different heights for different downward angles. Please note, only one row of E enclosures can be deployed in this way. A **GSS-LT1** strap is required for each anchor position (see next sheet). The E-Anchor also presents an alternative choice for touring enclosure users and facilitates more declination than with the GSM-Anchor described below.



FUNKTION-ONE

Hoyle, Horsham Road, Beare Green, Dorking, Surrey, RH5 4PS, England

Phone: +44 (0)1306 712820

Fax: +44 (0)1306 711240



mail@funktion-one.com

www.funktion-one.com

Accessories for: Ground Stack System for Evo Enclosures

Ground Stack assembly 1

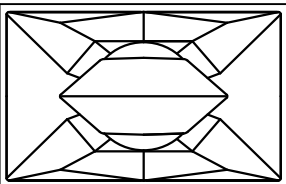
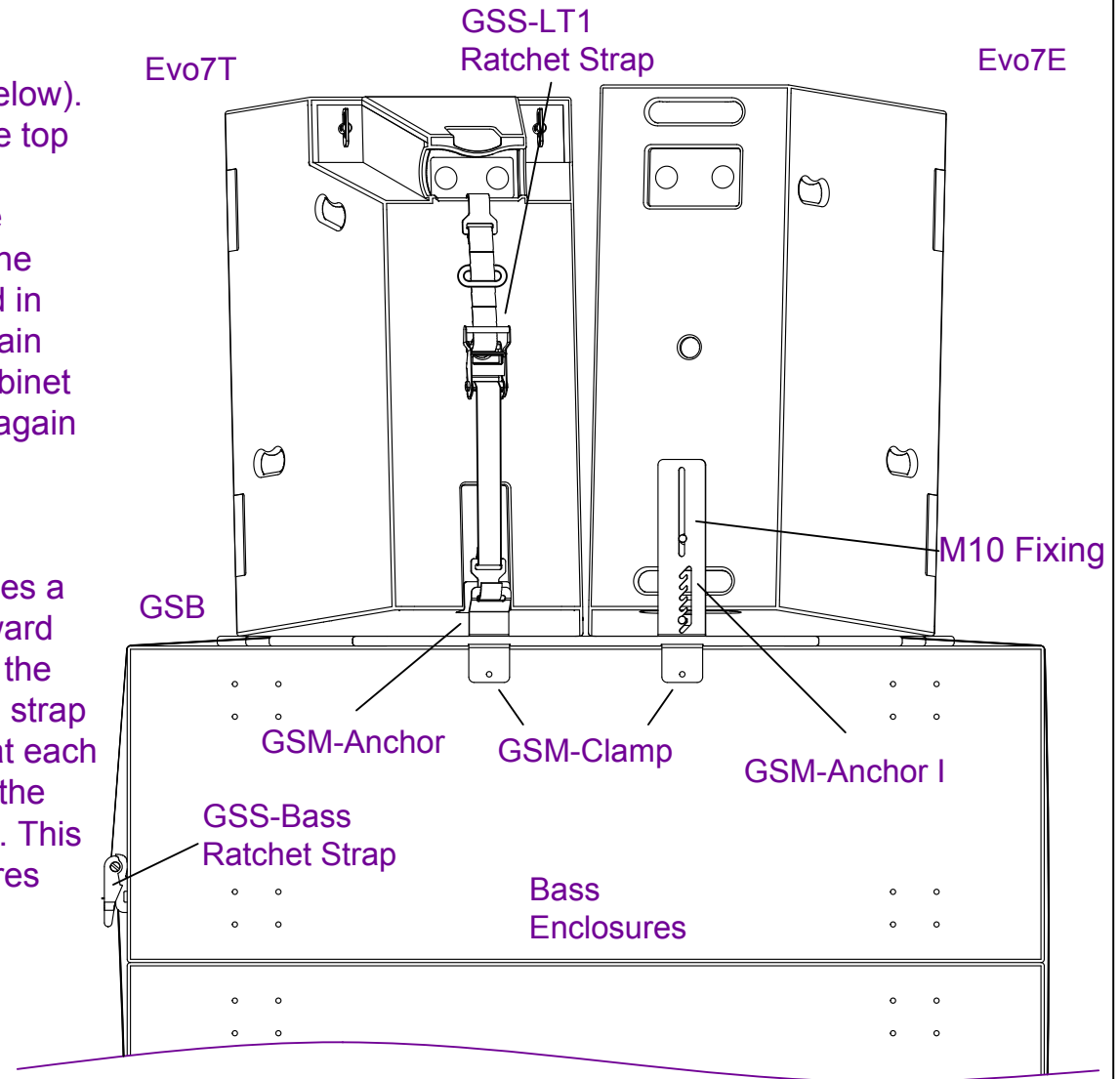
Boards available for many combinations of Evo6s, Evo7s and Evo7Ts with different bass enclosures

Evo6/Evo7 E:

The lower end of the Strap (**GSS-LT1**) is connected to the GSM-Anchor and can then be left attached (see diagram below). The upper end is secured looping it around the handle at the top of the cabinet and hooking it into the ring on the strap. The indexed block in the GSM-Anchor sets the declination of the enclosure. The strap is tightened just sufficiently to secure the Evo6/Evo7. Note, only one row of E enclosures can be used in this way. For Installations the GSM-Anchor I is used and again the indexed block in the anchor sets the declination. The cabinet is secured via the M10 fixing in the back of the cabinet and again only one row of E enclosures can be used in this way.

Evo7 T:

The anchor is used with Touring enclosures only and provides a location for the built in "biscomatic" tongue to set the downward tilt angle. Two rows of Touring enclosures can be used with the board system, using the integral linking system. A **GSS-LT1** strap is required for each anchor position. The Strap has a hook at each end and runs from the handle below the connector panel in the touring enclosure to the slot present in either type of anchor. This strap is long enough for two vertically linked touring enclosures along with one TH cabinet. The E-Anchor provides greater declination than the touring anchor.



FUNKTION-ONE

Hoyle, Horsham Road, Beare Green, Dorking, Surrey, RH5 4PS, England

Phone: +44 (0)1306 712820
Fax: +44 (0)1306 711240



mail@funktion-one.com
www.funktion-one.com

Accessories for: Ground Stack System for Evo Enclosures

Ground Stck Assembly 2

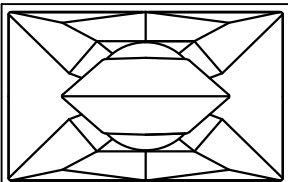
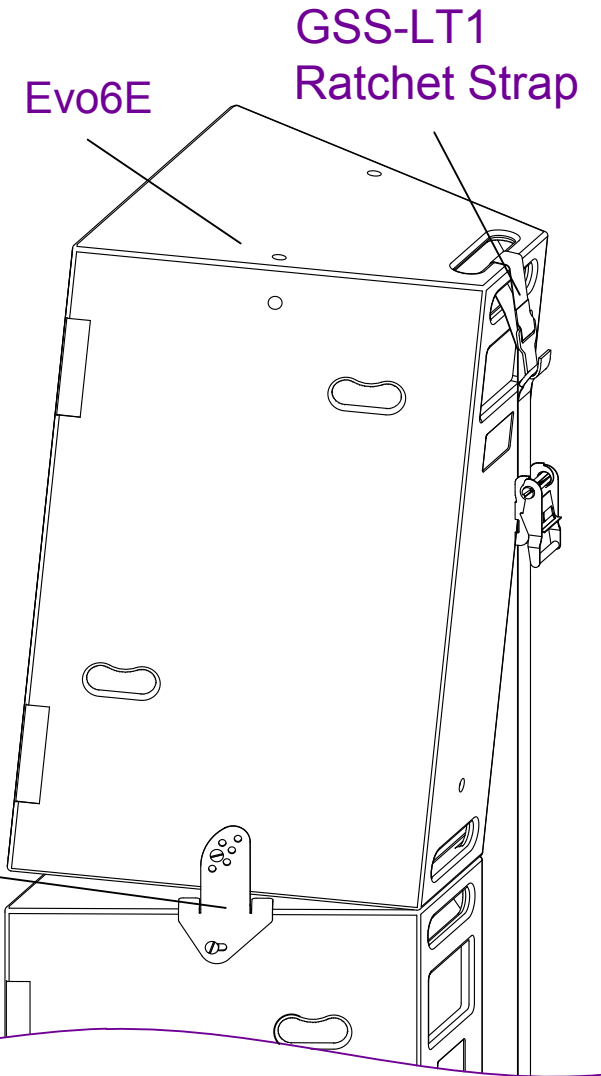
Boards available for many combinations of Evo6s, Evo7s and Evo7Ts with different bass enclosures

Evo6/Evo7 E Stacking Brackets:

To stack multiply rows of Evo6/Evo7 E enclosures, Evo6 or Evo 7 Stacking Brackets can be used. The Stacking Bracket lines up with the M10 fixings in the top and bottom of the enclosures. The required angle of inclination can be chosen by selecting the appropriate fixing hole in the bracket. The Enclosures are secured to the E-Anchor using Strap GSS-LT1. The lower end of the Strap hooks into the E-Anchor and The upper end is secured by looping it around the top handle of the upper enclosures and hooking it into the ring on the strap. The indexed block in the E-Anchor sets the declination of the lower enclosure. The strap is tightened just sufficiently to secure both enclosures.

Go to page 9 for more details of straps

Evo6 Stacking Bracket (GSM-JP6/7-K1)



FUNKTION-ONE

Hoyle, Horsham Road, Beare Green, Dorking, Surrey, RH5 4PS, England

Phone: +44 (0)1306 712820

Fax: +44 (0)1306 711240



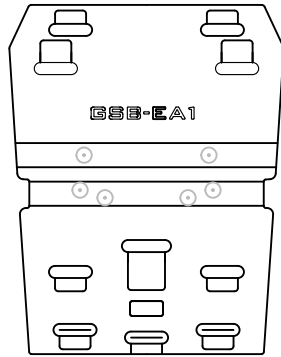
mail@funktion-one.com

www.funktion-one.com

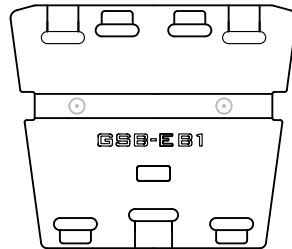
Accessories for: Ground Stack System for Evo Enclosures

Ground Stck Assembly 2

Boards available for many combinations of Evo6s, Evo7s and Evo7Ts with different bass enclosures

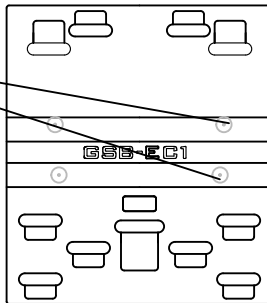


GSB-EA1 For 1 wide Evo7 or Evo6 on 1 wide F221, F121 or F218

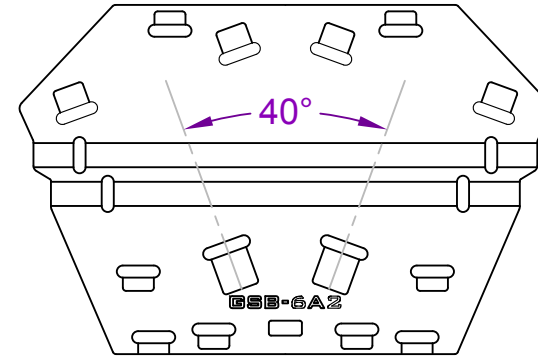


GSB-EB1 For 1 wide Evo7 or Evo6 on 1 wide F215Mk2

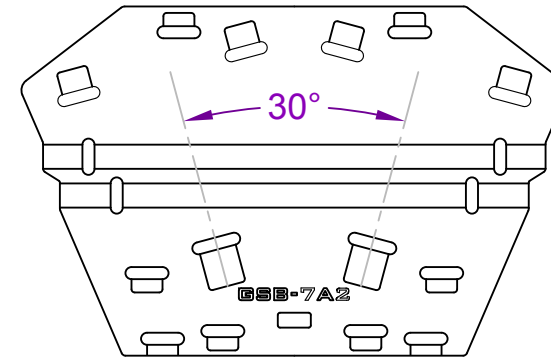
Pucks locate in handle holes of bass enclosure



GSB-EC1 For 1 wide Evo7 or Evo6 on 1 wide BR221, BR121 or BR218



GSB-6A2 For 2 wide Evo6 on 1 wide F221, F218 or 2 wide F121



GSB-7A2 For 2 wide Evo7 on 1 wide F221, F218 or 2 wide F121

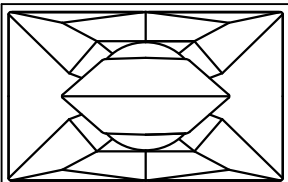
Single Evolution ground stack boards are fitted with pucks that locate in the handles of bass enclosures.

Evo6 ground stack boards provide an optimum axis to axis array angle of 40° and

Evo7 ground stack boards provide an optimum angle of 30°

Evo6 boards are suitable for all Evo6 products, Evo6E, Evo6EH & Evo6EL.

Evo7 boards are suitable for all Evo7 Products, Evo7E, Evo7T and Evo7EH



FUNKTION-ONE

Hoyle, Horsham Road, Beare Green, Dorking, Surrey, RH5 4PS, England

Phone: +44 (0)1306 712820

Fax: +44 (0)1306 711240



mail@funktion-one.com

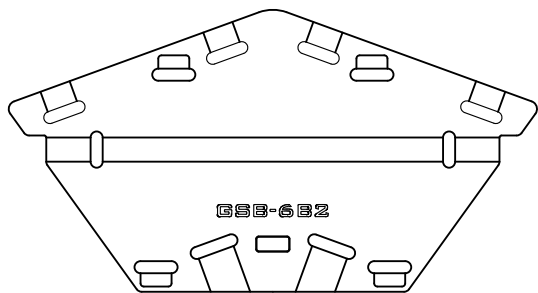
www.funktion-one.com

Accessories for: Ground Stack System for Evo Enclosures - Boards

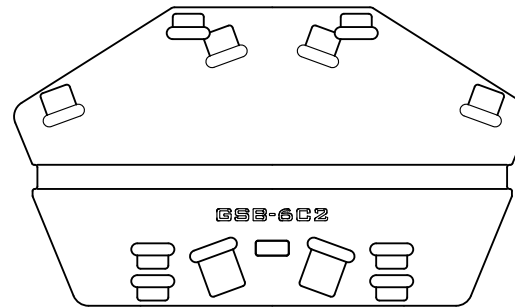
GSB-EA1, , GSB-6A2,

GSB-EB1, GSB-7A2

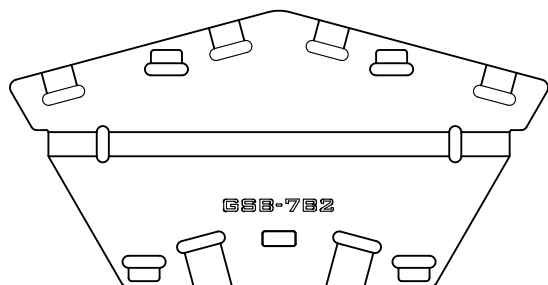
GSB-EC1,



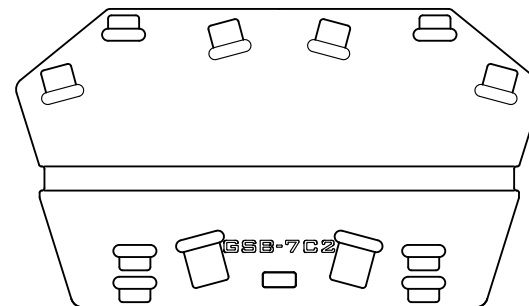
GSB-6B2 For 2 wide Evo6 on 1 or 2 wide F215Mk2



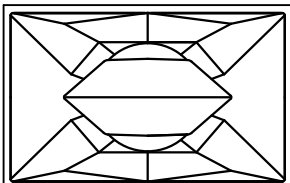
GSB-6C2 For 2 wide Evo6 on 1 wide BR221, BR218 or 2 wide BR121



GSB-7B2 For 2 wide Evo7 on 1 or 2 wide F215Mk2



GSB-7C2 For 2 wide Evo7 on 1 wide BR221, BR218 or 2 wide BR121



FUNKTION-ONE

Hoyle, Horsham Road, Beare Green, Dorking, Surrey, RH5 4PS, England

Phone: +44 (0)1306 712820

Fax: +44 (0)1306 711240

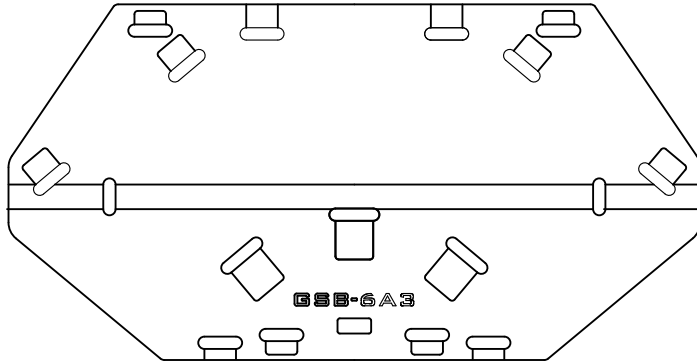


mail@funktion-one.com

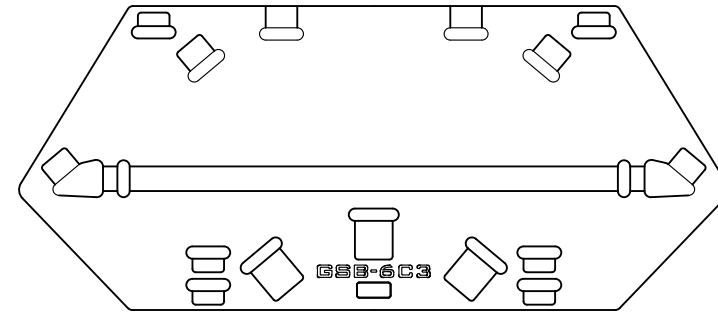
www.funktion-one.com

Accessories for: Ground Stack System for Evo Enclosures - Boards

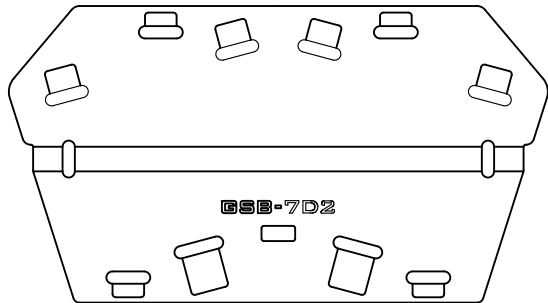
GSB-6B2, GSB-6C2,
GSB-7B2, GSB-7C2,



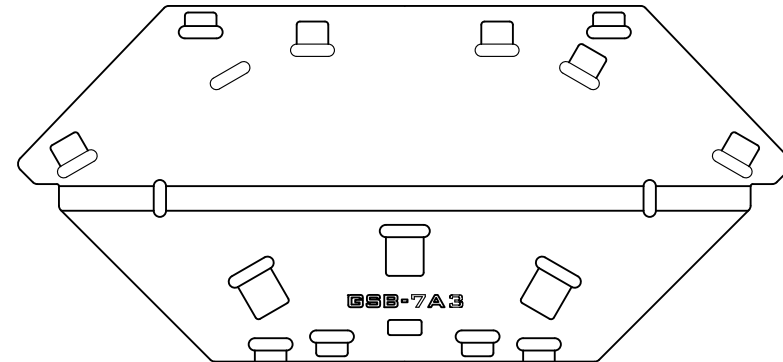
GSB-6A3 For 3 wide Evo6 on 1 wide F221 or 2 wide F121



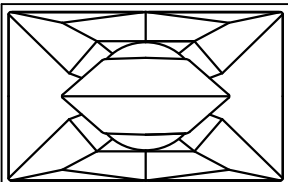
GSB-6C3 For 3 wide Evo6 on 1 wide BR221, BR218 or 2 wide BR121



GSB-7D2 For 2 wide Evo7 on 1 wide F218



GSB-7A3 For 3 wide Evo7 on 1 or 2 wide F221 or 2 or 3 wide F121



FUNKTION-ONE

Hoyle, Horsham Road, Beare Green, Dorking, Surrey, RH5 4PS, England

Phone: +44 (0)1306 712820

Fax: +44 (0)1306 711240



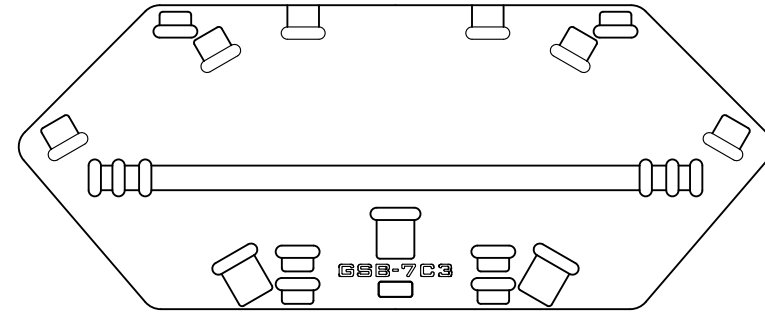
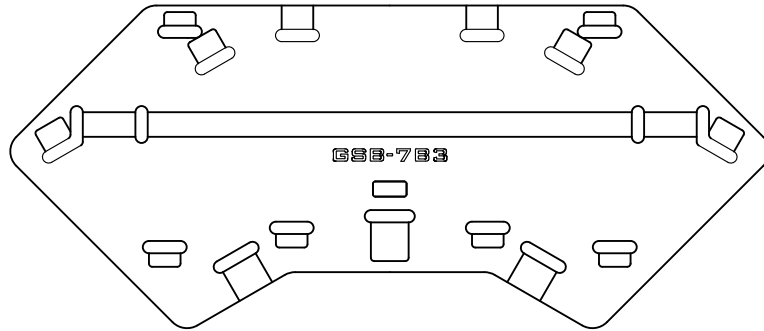
mail@funktion-one.com

www.funktion-one.com

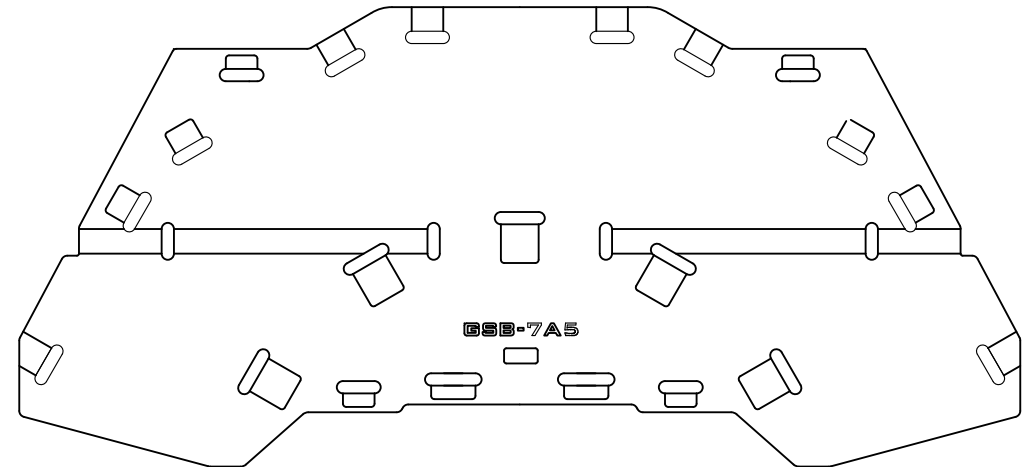
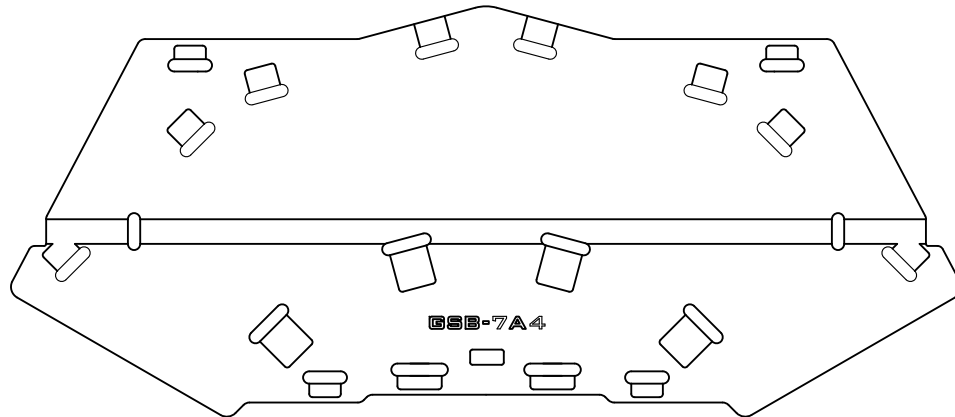
Accessories for: Ground Stack System - Boards (sheet 2)

GSB-6A3, GSB-6C3

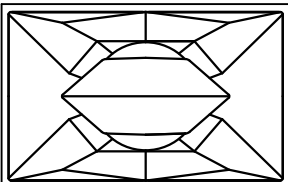
GSB-7D2, GSB-7A3



GSB-7B3 For 3 wide Evo7 on 1 wide F315 or 2 wide F215Mk2 **GSB-7C3** For 3 wide Evo7 on 1 wide BR221, BR218 or 2 wide BR121



GSB-7A4 For 4 wide Evo7 on 1 or 2 wide F221 or 2 or 3 wide F121 **GSB-7A5** For 5 wide Evo7 on 2 wide F221 or 3 or 4 wide F121



FUNKTION-ONE

Hoyle, Horsham Road, Beare Green, Dorking, Surrey, RH5 4PS, England

Phone: +44 (0)1306 712820

Fax: +44 (0)1306 711240



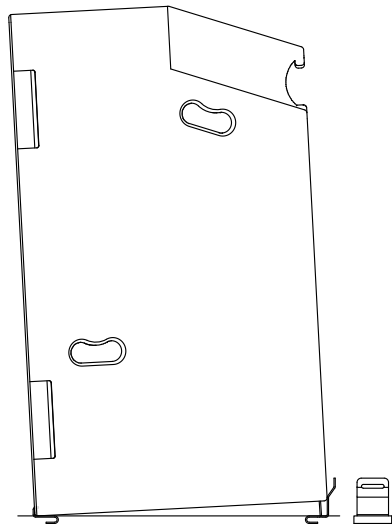
mail@funktion-one.com

www.funktion-one.com

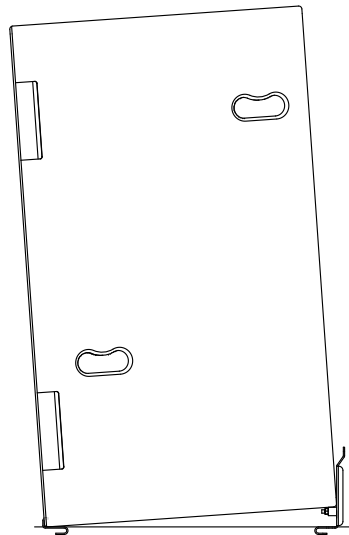
Accessories for: Ground Stack System - Boards (sheet 2)

GSB-7B3, GSB-7C3

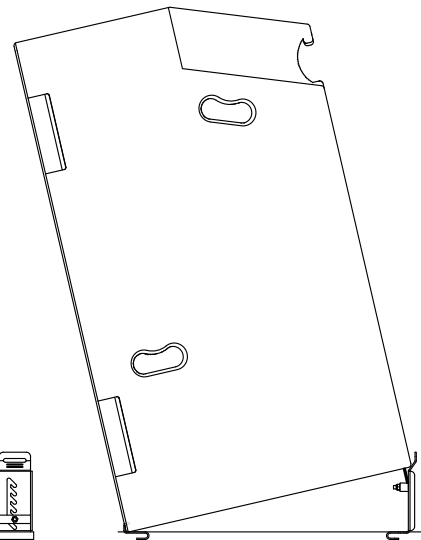
GSB-7A4, GSB-7A5



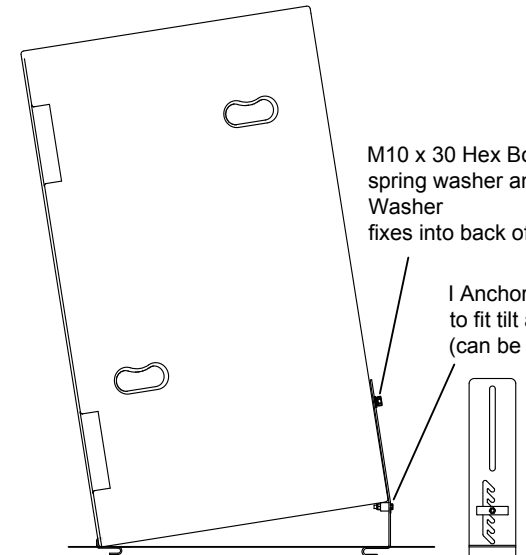
Evo7T Enclosure with T-Anchor



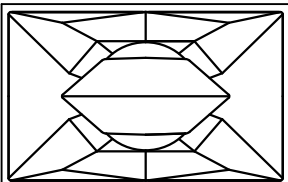
Evo7/Evo6E Enclosure with E-Anchor



Evo7T Enclosure with E-Anchor. Provides maximum declination.



Evo6/Evo7E Enclosure with I-Anchor. For fixed installation



FUNKTION-ONE

Hoyle, Horsham Road, Beare Green, Dorking, Surrey, RH5 4PS, England

Phone: +44 (0)1306 712820

Fax: +44 (0)1306 711240



mail@funktion-one.com

www.funktion-one.com

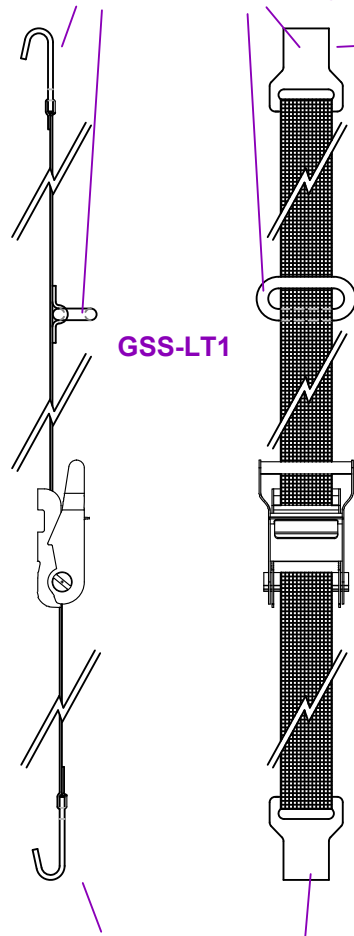
Accessories for: Ground Stack System - Anchor Plates

The E-Anchor can be used with both E and Touring enclosures, providing adjustable declination as shown.

It has a slot at the top for use with touring strap hook and two additional slots to weave the E tilt strap into securely, examples can be seen on the Ground Stack Assembly assembly page.

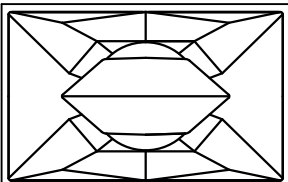
Strap loops through top handlebar
and hooks into the oval ring

Clips into the top handle of Evo7T



GSS-LT1

Clips into GSM-AnchorT or AnchorE



FUNKTION-ONE

Hoyle, Horsham Road, Beare Green, Dorking, Surrey, RH5 4PS, England

Phone: +44 (0)1306 712820

Fax: +44 (0)1306 711240



mail@funktion-one.com

www.funktion-one.com

Accessories for: Ground Stack System - Tilt Straps

GSS-LT1 -Suitable for all EVO groundstack applications.