

## PSM18 Point Source Monitor

Funktion One's PSM18 Point Source stage monitor is a radical departure from the standard 15" and compression-driver configuration, delivering a significant performance advantage over conventional monitors. The triple concentric arrangement comprises a very high power 18" driver with a coaxially mounted two-way compression driver. The natural materials used in the midrange section of the compression driver combined with its 700Hz -18kHz bandwidth give previously unheard clarity and definition to the vocal range. The ultra-fast 18" driver with its Neodymium magnet and 5" voice coil is optimised for low frequency definition making the monitor also well suited to use for Bass and Drums. The PSM18 has a 70° Funktion-One conical waveguide for high efficiency and control, and the point-source arrangement is optimum for smooth coverage and minimising feedback. As usual with Funktion One's design approach, corrective EQ is unnecessary leaving the enclosure phase coherent with plenty of headroom.



### Features:

- Triple Concentric Point Source driver combination
- Neodymium magnets
- Sturdy construction
- Integral 35mm pole mount
- Bi-amplified operation
- Two recessed double NL4 connector pockets



Driver	Operating Band*	Sensitivity (1W at 1m)	Power (rms**)	Nominal Impedance
18"	30 - 694Hz	104dB	600W	8Ω
5"	694 - 9k5Hz	112dB	80W	8Ω Total
HF	9k5Hz - up	112dB	18W	

\*Please check website for latest crossover settings

\*\*AES rated

Frequency Response  $\pm 3\text{dB}$ :

50Hz - 18kHz

Weight:

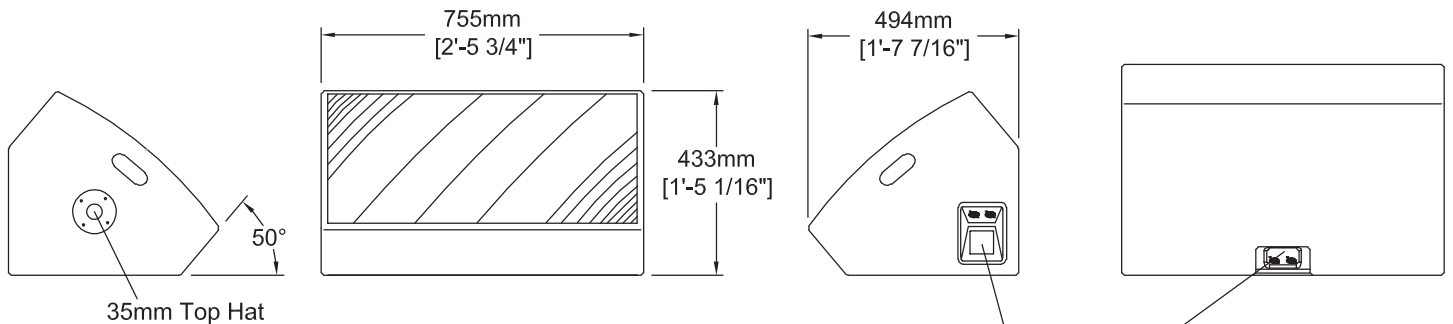
35kg (77lbs)

Nominal Dispersion:

70° Conical

Connectors:

2 x Speakon NL4  
(2 positions)



Recessed connector pockets for safety of cables and connectors

