

## F121

The F121 provides outstanding bass performance from a moderately sized enclosure making it the bass of choice for many diverse applications. Similar in output power to an F218, this single 21" version of the F221 can be used with virtually all Funktion One mid-high loudspeakers to great effect. The advanced loading and driver design of this high-efficiency product provides audiences and crowds around the world with stimulating and satisfying experiences. The F121 comprises a horn-loaded and very robust Funktion One designed 21" driver with 6" voicecoil and Neodymium magnet. Available in 4 Ohm or 8 Ohm versions with optional wheels, throat grill and pole mount.

### Features:

- Advanced Andrews' loading
- High output from moderately sized enclosure
- New driver orientation provides improved cooling
- Funktion One designed driver with Neodymium magnet
- Integral handles
- Optional throat grill, wheels and pole mount



Driver	Sensitivity (1W at 1m)	Power (rms*)	Nominal Impedance
21"	105dB	750W	4Ω or 8Ω

*Please check website for latest crossover settings*

*\*AES rated*

Frequency Response  $\pm 3$ dB:

40Hz - 180Hz

Weight:

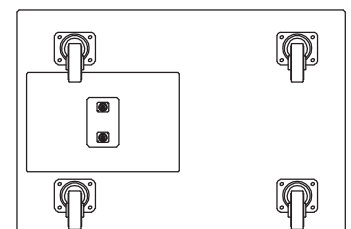
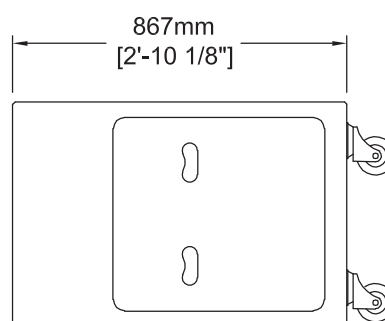
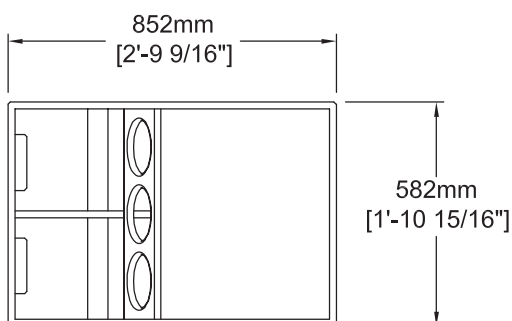
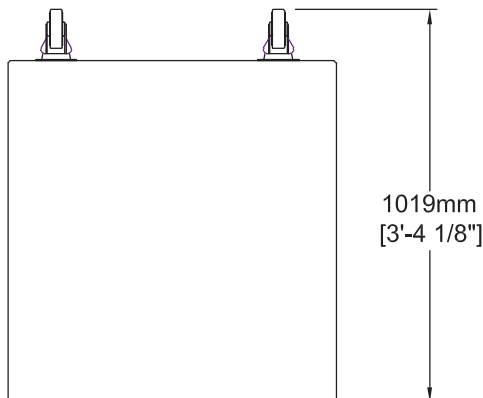
72kg (159lbs)

Construction:

18mm Birch Ply

Connectors:

2 x Speakon NL4



Wheels optional

