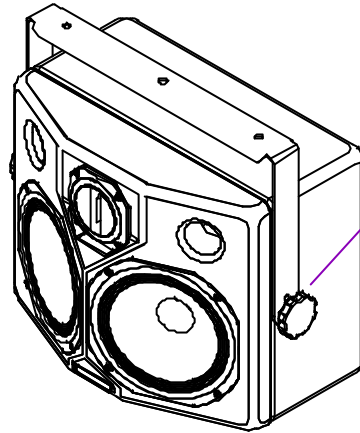


350mm  
[1'-1 3/4"]

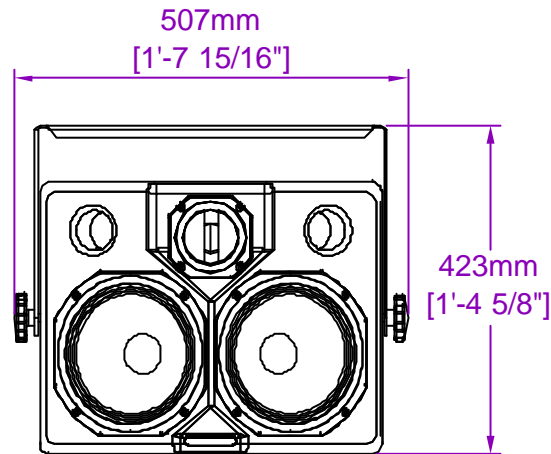
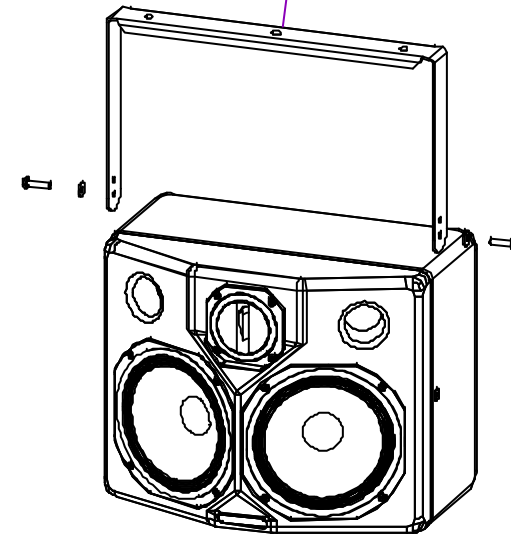
Holes for  
M10 fixing

Hole for M12 fixing, allows  
horizontal adjustment



YF88-K2 - Yoke with adjustable hand wheel

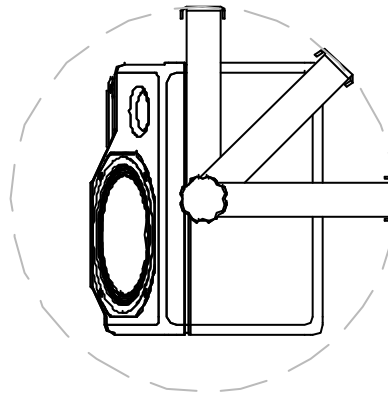
YF88-K1 - Yoke with standard bolt  
attachments



507mm  
[1'-7 15/16"]

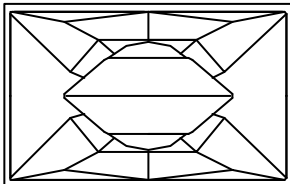
423mm  
[1'-4 5/8"]

360° arm rotation. Stays in  
position.



All dimensions in mm and inches

Copyright Funktion-One Research Ltd



**FUNKTION-ONE**

Hoyle, Horsham Road, Beare Green, Dorking, Surrey, RH5 4PS, England

Phone: +44 (0)1306 712820

Fax: +44 (0)1306 711240



mail@funktion-one.com

www.funktion-one.com

Accessories for: F88

YF88-K1 - Yoke Bracket Kit for F88 supplied with bolts (stainless steel) for attachment to enclosure

YF88-K2 - Yoke Bracket Kit for F88 supplied with handwheel (stainless steel) for attachment to enclosure